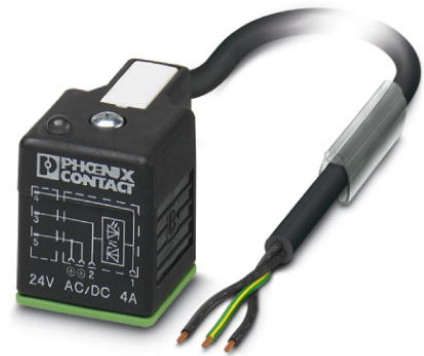


## SAC-3P- 3,0-PUR/A-1L-S

Order No.: 1683772



Sensor/actuator cable, 3-pos., PUR/PVC black, free conductor end on type A valve plug with 1 LED, Z diode, cable length: 3 m

### Commercial data

EAN	4017918185985
Pack	1 Pcs.
Customs tariff	85444290
Weight/Piece	0.1857 KG
Catalog page information	Page 90 (PC-2007)

### Product notes

WEEE/RoHS-compliant since:  
10/27/2006



### Technical data

#### General data

Nominal current $I_N$	4 A
Nominal voltage $U_N$	24 V
Number of positions	3
Volume resistance	$\leq 5 \text{ m}\Omega$
Insulation resistance	$\geq 100 \text{ M}\Omega$

Length of cable	3 m
Ambient temperature (operation)	-20 °C ... 85 °C (valve plug)
	-30 °C ... 80 °C (cable, fixed installation)
	-5 °C ... 70 °C (cable, flexible installation)

**General characteristics**

Coding	A - standard
Inflammability class acc. to UL 94	HB
Surge voltage category	II
Pollution degree	3
Degree of protection	IP67
Contact material	CuSn
Contact surface material	Ag
Valve plug contact insert material	PBT
Material, housing, valve plug	PBT
Sealing material	TPU (Flat gasket valve plug)
Status display	1 LED
Protective circuit/component	Z diode

**Conductor data**

Cable type	PUR/PVC black
Conductor cross section	0.75 mm <sup>2</sup>
AWG signal line	18
Conductor structure, signal line	24x 0.20 mm
External cable diameter	5.90 mm
Wire colors	Black 1, black 2, green/yellow
External sheath, color	Black RAL 9005

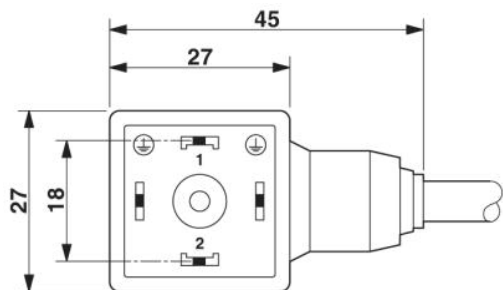
**Certificates / Approvals**

Certification

GOST

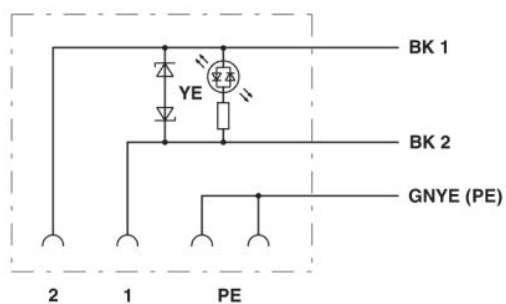
**Drawings**

Dimensioned drawing



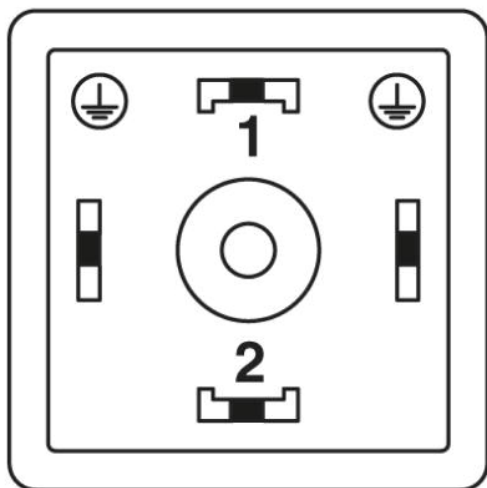
Valve plug, type A

Circuit diagram



Contact assignment of the valve plug

Schematic diagram



Valve connector pin assignment, type A